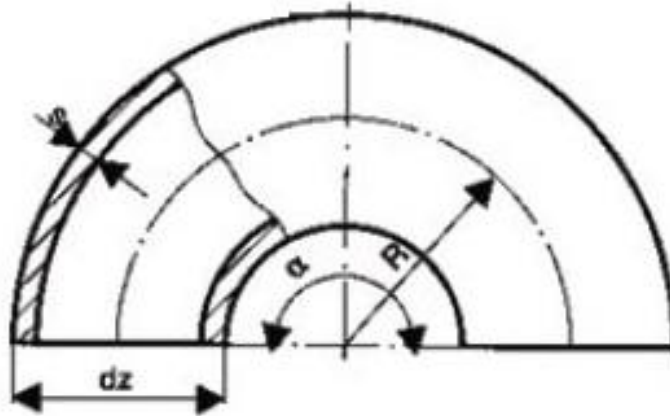


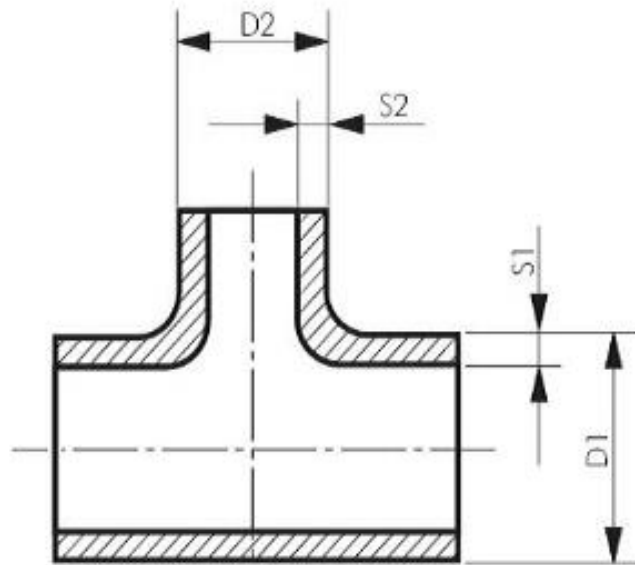
1. Cot sudabil din oțel conform standardelor EN10253-2 / DIN2605-1



Diametrul nominal DN	Diametrul exterior dz [mm]	Grosimea peretelui s [mm]	Raza		
			Masa [kg]		
15	21.3	2.0	R=17.5	R=28.0	R=42.5
			0.03	0.04	0.07
20	26.9	2.3	R=25.0	R=29.0	R=57.5
			0.03	0.05	0.07
25	33.7	2.6	R=25.0	R=38.0	R=72.5
			0.10	0.12	0.23
32	42.4	2.6	R=32.0	R=48.0	R=92.5
			0.15	0.19	0.37
40	48.3	2.6	R=38.0	R=57.0	R=107.5
			0.20	0.26	0.50
50	60.3	2.9	R=51.0	R=76.0	R=135.0
			0.36	0.49	0.87
65	76.1	2.9	R=63.0	R=95.0	R=175.0
			0.58	0.78	1.44
80	88.9	3.2	R=76.0	R=114.0	R=205.0
			0.88	1.22	2.18
100	114.3	3.6	R=102.0	R=152.0	R=270.0
			1.62	2.36	4.17
125	139.7	4.0	R=127.0	R=190.0	R=330.0
			2.79	4.01	6.94
150	168.3	4.5	R=152.0	R=229.0	R=390.0
			4.04	5.82	10.1
200	219.1	6.3	R=203.0	R=305.0	R=510.0
			10.9	15.8	26.5

250	273.0	6.3	R=254.0	R=381.0	R=650.0
			16.5	24.8	42.3
300	323.9	7.1	R=305.0	R=457.0	R=775.0
			26.6	39.8	67.5
350	355.6	8.0	R=356.0	R=533.0	R=850.0
			38.2	57.5	91.6
400	406.4	8.0	R=406.0	R=610.0	R=970.0
			50.1	75.3	120.0
450	457.0	8.0	R=457.0	R=686.0	R=1122
			63.3	95.5	156.0
500	508.0	8.0	R=508.0	R=762.0	R=1245
			78.2	118.0	193.0
600	610.0	10.0	R=610.0	R=914.0	R=1525
			142.0	209.0	348.0
700	711.0	10.0	R=711.0	R=1067	R=1778
			190.0	285.0	475.0

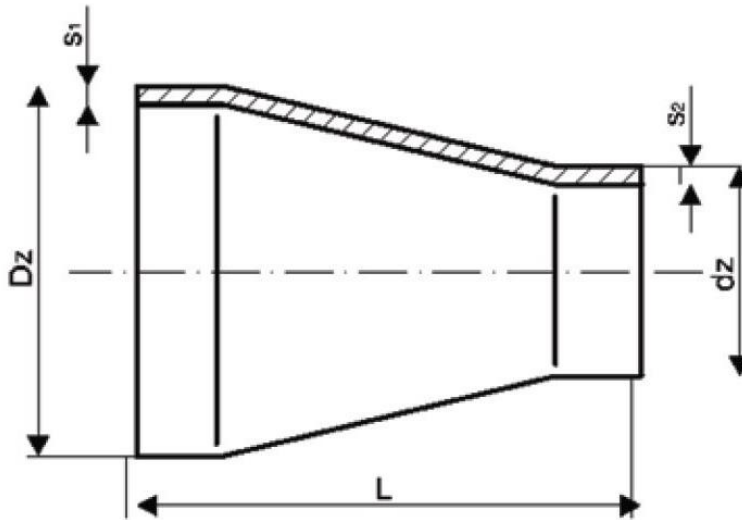
2. Teu sudabil din oțel conform standardelor EN10216-2 / DIN2615-1



Diametrul nominal	Diametrul exterior	Grosimea peretelui	Diametrul nominal	Diametrul exterior	Grosimea peretelui	Masa (kg)
DN ₁	D ₁ [mm]	s ₁ [mm]	DN ₂	D ₂ [mm]	s ₂ [mm]	
15	21.3	2.0	15	21.3	2.0	0.09
		2.0	10	17.2	1.8	0.09
20	26.9	2.3	20	26.9	2.3	0.15
		2.3	15	21.3	2.0	0.15
		2.3	10	17.2	1.8	0.26
25	33.7	2.6	25	33.7	2.6	0.26
		2.6	20	26.9	2.3	0.26
		2.6	15	21.3	2.0	0.26
32	42.4	2.6	32	42.4	2.6	0.42
		2.6	25	33.7	2.6	0.42
		2.6	20	26.9	2.3	0.42
		2.6	15	21.3	2.0	0.42
40	48.3	2.6	40	48.3	2.6	0.59
		2.6	32	42.4	2.6	0.59
		2.6	25	33.7	2.6	0.59
		2.6	20	26.9	2.3	0.59
50	60.3	2.9	50	60.3	2.9	0.83
		2.9	40	48.3	2.6	0.79
		2.9	32	42.4	2.6	0.76
		2.9	25	33.7	2.6	0.72
		2.9	20	26.9	2.3	0.72
65	76.1	2.9	65	76.1	2.9	1.29
		2.9	50	60.3	2.9	1.20
		2.9	40	48.3	2.6	1.16
		2.9	32	42.4	2.6	1.12
		2.9	25	33.7	2.6	1.10

80	88.9	3.2	80	88.9	3.2	1.85
		3.2	65	76.1	2.9	1.85
		3.2	50	60.3	2.9	1.80
		3.2	40	48.3	2.6	1.70
		3.2	32	42.4	2.6	1.70
100	114.3	3.6	100	114.3	3.6	3.10
		3.6	80	88.9	3.2	3.00
		3.6	65	76.1	2.9	2.90
		3.6	50	60.3	2.9	2.90
		3.6	40	48.3	2.6	2.80
125	139.7	4.0	125	139.7	4.0	4.80
		4.0	100	114.3	3.6	4.70
		4.0	80	88.9	3.2	4.60
		4.0	65	76.1	2.9	4.60
		4.0	50	60.3	2.9	4.50
150	168.3	4.5	150	168.3	4.5	7.00
		4.5	125	139.7	4.0	6.90
		4.5	100	114.3	3.6	6.70
		4.5	80	88.9	3.2	6.60
		4.5	65	76.1	2.9	6.50
200	219.1	6.3	200	219.1	6.3	14.90
		6.3	150	168.3	4.5	14.40
		6.3	125	139.7	4.0	13.60
		6.3	100	114.3	3.6	13.60
		6.3	80	88.9	3.2	13.60
250	273.0	6.3	250	273.0	6.3	22.0
		6.3	200	219.1	6.3	20.3
		6.3	150	168.3	4.5	20.3
		6.3	125	139.7	4.0	19.3
		6.3	100	114.3	3.6	19.0
300	323.9	7.1	300	323.9	7.1	35.0
		7.1	250	273	6.3	34.1
		7.1	200	219.1	6.3	34.1
		7.1	150	168.3	4.5	34.1
		7.1	125	139.7	4.0	34.0
350	355.6	8.0	350	355.6	8.0	60.0
		8.0	300	323.9	7.1	60.0
		8.0	250	273.0	6.3	60.0
		8.0	200	219.1	6.3	54.0
		8.0	150	168.3	4.5	54.0
400	406.4	8.8	400	406.4	8.8	82.0
		8.8	350	355.6	8.0	82.0
		8.8	300	323.9	7.1	82.0
		8.8	250	273.0	6.3	82.0
		8.8	200	219.1	6.3	74.0
500	508.0	11.0	500	508.0	11.0	160.0
		11.0	400	406.4	8.8	160.0
		11.0	350	355.6	8.0	160.0
		11.0	300	323.9	7.1	160.0
		11.0	250	273.0	6.3	160.0

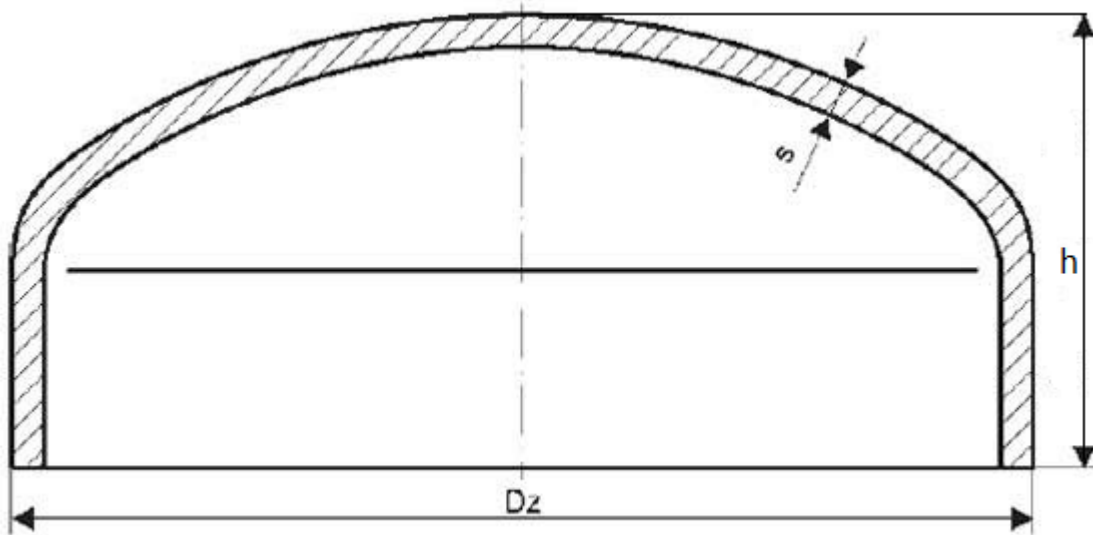
3. Reductie concentrica sudabila din otel conform standardelor EN10253-2 / DIN2616



Diametrul nominal DN	Diametre exterioare		Lungimea L [mm]	Grosimea peretilor		Masa (kg)
	Dz [mm]	dz [mm]		s ₁ [mm]	s ₂ [mm]	
20 x 15	26.9	21.3	38	2.3	2.0	0.05
25 x 15	33.7	21.3	50	2.6	2.0	0.09
25 x 20		26.9		2.6	2.3	0.09
32 x 15	42.4	21.3	50	2.6	2.0	0.11
32 x 20		26.9		2.6	2.3	0.13
32 x 25		33.7		2.6	2.6	0.14
40 x 15	48.3	21.3	64	2.6	2.0	0.17
40 x 20		26.9		2.6	2.3	0.19
40 x 25		33.7		2.6	2.6	0.20
40 x 32		42.4		2.6	2.6	0.20
50 x 20	60.3	26.9	76	2.9	2.3	0.28
50 x 25		33.7		2.9	2.6	0.31
50 x 32		42.4		2.9	2.6	0.33
50 x 40		48.3		2.9	2.6	0.42
65 x 32	76.1	42.4	90	2.9	2.6	0.47
65 x 40		48.3		2.9	2.6	0.48
65 x 50		60.3		2.9	2.9	0.49
80 x 32	88.9	42.4	90	3.2	2.6	0.55
80 x 40		48.3		3.2	2.6	0.61
80 x 50		60.3		3.2	2.9	0.62
80 x 65		76.1		3.2	2.9	0.63
100 x 40	114.3	48.3	100	3.6	2.6	0.90
100 x 50		60.3		3.6	2.9	0.98
100 x 65		76.1		3.6	2.9	1.00
100 x 80		88.9		3.6	3.2	1.02

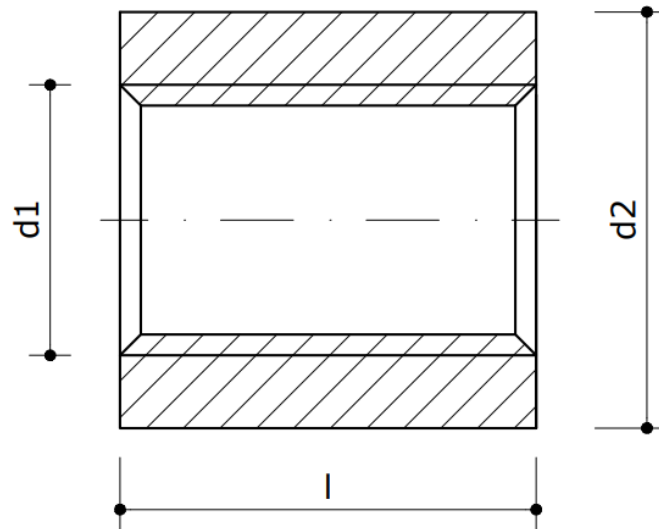
125 x 40	139.7	48.3	127	4.0	2.6	1.70
125 x 50		60.3		4.0	2.9	1.70
125 x 65		76.1		4.0	2.9	1.70
125 x 80		88.9		4.0	3.2	1.74
125 x 100		114.3		4.0	3.6	1.76
150 x 50	168.3	60.3	140	4.5	2.9	2.70
150 x 65		76.1		4.5	2.9	2.70
150 x 80		88.9		4.5	3.2	2.70
150 x 100		114.3		4.5	3.6	2.82
150 x 125		139.7		4.5	4.0	2.94
200 x 80	219.1	88.9	152	6.3	3.2	5.03
200 x 100		114.3		6.3	3.6	5.03
200 x 125		139.7		6.3	4.0	5.12
200 x 150		168.3		6.3	4.5	5.18
250 x 100	273.0	114.3	178	6.3	3.6	7.40
250 x 125		139.7		6.3	4.0	7.40
250 x 150		168.3		6.3	4.5	7.55
250 x 200		219.1		6.3	6.3	7.70
300 x 125	323.9	139.7	203	7.1	4.0	11.26
300 x 150		168.3		7.1	4.5	11.26
300 x 200		219.1		7.1	6.3	11.55
300 x 250		273.0		7.1	6.3	11.90
350 x 150	355.6	168.3	330	8.0	4.5	22.60
350 x 200		219.1		8.0	6.3	22.60
350 x 250		273.0		8.0	6.3	23.00
350 x 300		323.9		8.0	7.1	23.40
400 x 200	406.4	219.1	355	8.8	6.3	30.60
400 x 250		273.0		8.8	6.3	31.40
400 x 300		323.9		8.8	7.1	32.20
400 x 350		355.6		8.8	8.0	33.10
500 x 250	508.0	273.0	508	11.0	6.3	68.50
500 x 300		323.9		11.0	7.1	68.50
500 x 350		355.6		11.0	8.0	68.50
500 x 450		406.4		11.0	8.8	68.50

4. Capac sudabil din otel conform standardului EN10253-2 / DIN28013



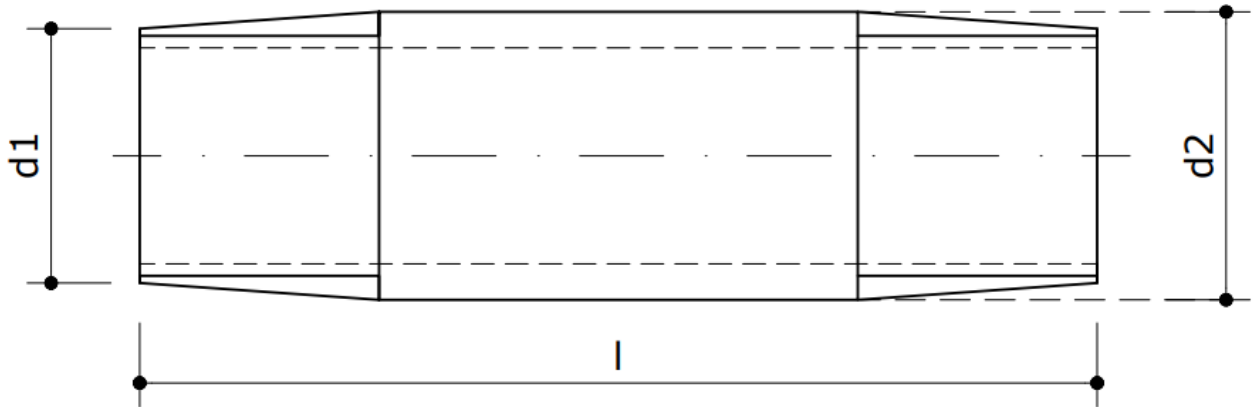
Diametrul nominal DN	Diametrul exterior Dz [mm]	h [mm]	Grosimea peretelui s [mm]	Masa [kg]
15	21.3	25	2.0	0.06
20	26.9	25	2.3	0.08
25	33.7	38	2.6	0.09
32	42.4	38	2.6	0.10
40	48.3	38	2.6	0.20
50	60.3	38	2.9	0.28
65	76.1	38	2.9	0.34
80	88.9	51	3.2	0.53
100	114.3	64	3.6	1.00
125	139.7	76	4.0	1.14
150	168.3	89	4.0	1.63
200	219.1	102	4.5	2.86
250	273.0	127	5.0	5.00
300	323.9	152	5.6	7.80
350	355.6	165	5.6	9.40
400	406.4	178	6.3	13.30
450	457.0	203	6.3	17.00
500	508.0	229	6.3	21.10
600	610.0	267	6.3	30.00

5. Mufa sudabila din otel conform standardelor EN10241 / DIN2986



Diametrul nominal DN	Diametrul interior d1 [inch]	Diametrul exterior d2 [mm]	Lungimea L [mm]	Masa [kg]
15	1/2"	26.4	34	0.07
20	3/4"	31.8	36	0.08
25	1"	39.5	43	0.15
32	1"1/4"	48.3	48	0.21
40	1"1/2"	54.5	48	0.25
50	2"	66.3	56	0.35
65	2"1/2"	82.0	65	0.64
80	3"	95.0	71	0.69
100	4"	122.0	83	0.85

6. Stut sudabil filetat din oțel conform standardelor EN10241 / DIN2982



Diametrul nominal DN	Diametrul interior $d1$ [inch]	Diametrul exterior $d2$ [mm]	Lungimea l [mm] *	Masa [kg]
15	1/2"	21.3	100*	0.13
20	3/4"	26.9	100*	0.18
25	1"	33.7	100*	0.24
32	1"1/4"	42.4	100*	0.31
40	1"1/2"	48.3	100*	0.36
50	2"	60.3	100*	0.5
65	2"1/2"	76.1	100*	0.64
80	3"	88.9	100*	0.84
100	4"	114.3	100*	1.21

*Stuturile pot avea lungimea cuprinsa intre 100mm – 600mm.

In functie de lungime se va modifica si masa stutului.

Aceste dimensiuni sunt valabile pentru stuturile filetate la un singur capat si pentru cele filetate la ambele capete.